

DYNEGY INC.

Eunice Plant

505-394-2534 Fax: 505-394-2714

Jerry Bevel

IR - RDS-4

5.50" STROKE 1000 RPM

UNITS # 19

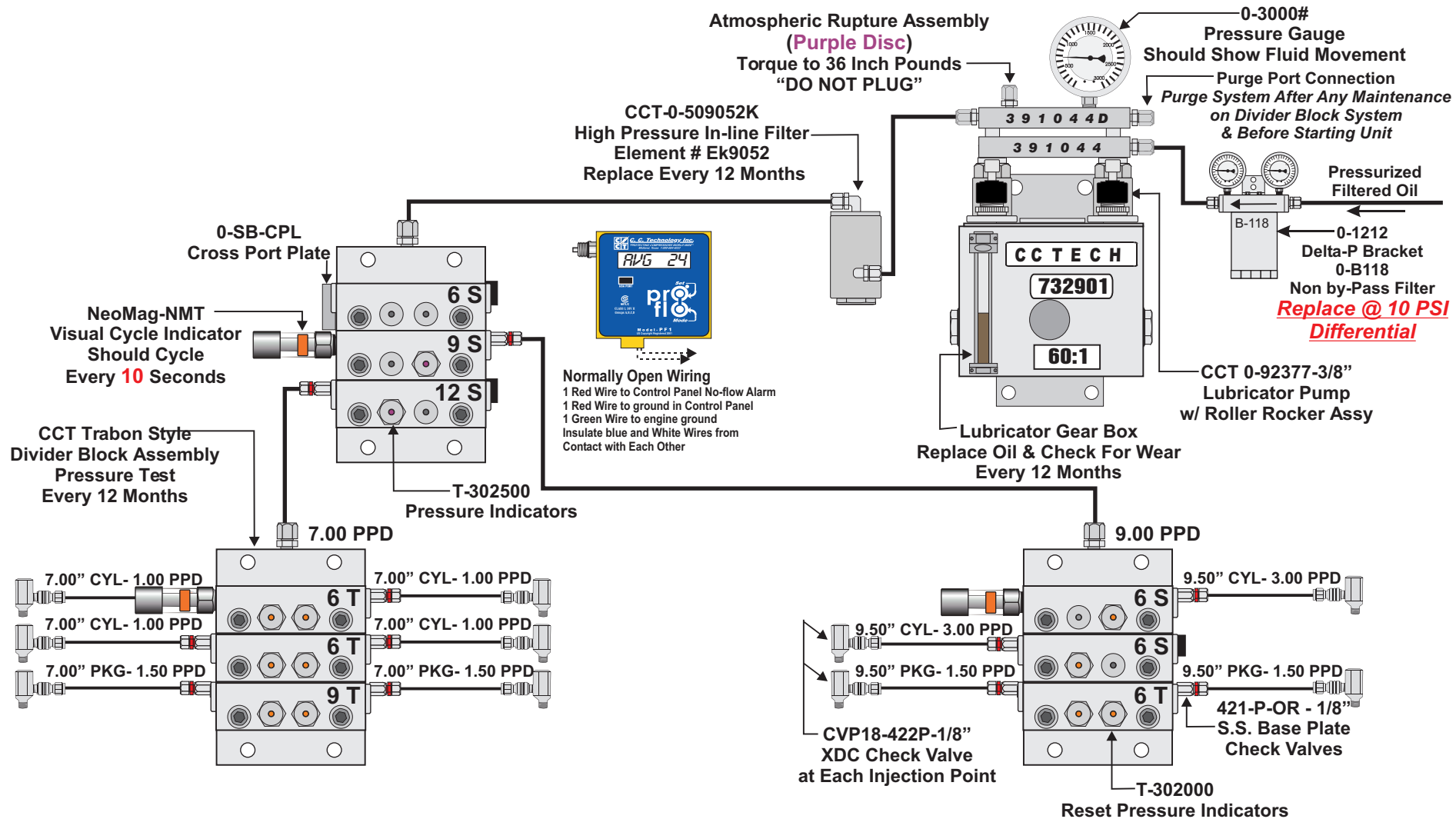
Lubrication System Designed By



3201 West Wall St.
Midland, TX 79701
Office: 432.520.6700
fax: 432.520.6707

LUBRICATION DIVISION

Visit Us On The Web: cct.nu



16.00 Pints Per Day @ Rated RPM
proflo LCD Should Display AVG 10.0 Seconds
 For Recommended Oil Consumption
Overhaul Break-in Cycle Time 5 Seconds for 100 Hours

Drawings & Specifications are Copyright
 Property of "CC TECHNOLOGY, INC."
 Reproduction or Use Without
 Written Permission is Strictly Prohibited