

**Revamp By: Ronnie Mooring**  
**CCT Divider Block System**  
**Warranty: 2 Years**  
**Check Valve Warranty 5 Years**

# COOPER GMVA 10

## 14" STROKE 300 RPM

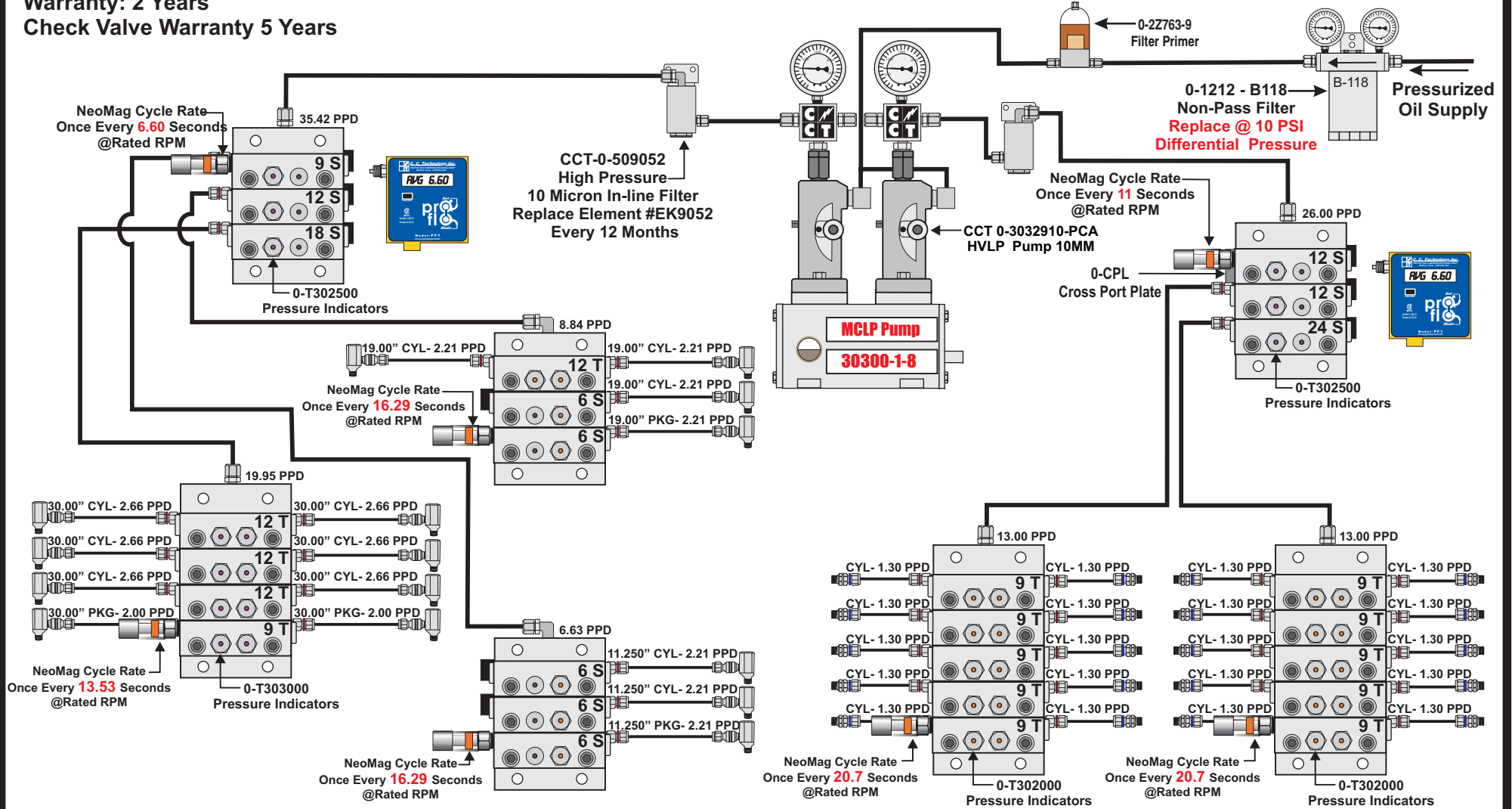
### UNIT # ??

Lubrication System Designed By

3201 West Wall St.  
 Midland, TX 79701  
 Office: 432.520.6700  
 fax: 432.520.6707

LUBRICATION DIVISION

**Visit Us On The Web: [cct.nu](http://cct.nu)**



**COMPRESSOR CYLINDERS 35.42 PINTS PER 24 HRS.**  
**LCD Should Display AVG 6.60 Seconds**  
**For Recommended Oil Consumption**  
**Overhaul Break-in Rates 3.3 Seconds for 100 Hours**

Drawings & Specs Are Copyright Property of  
 "CC TECHNOLOGY, INC."  
 It is against the Law to Reproduce  
 or Use Without Written Permission

**POWER CYLINDERS 26.00 PINTS PER 24 HRS.**  
**LCD Should Display AVG 11 Seconds**  
**For Recommended Oil Consumption**  
**Overhaul Break-in Rates 6 Seconds for 100 Hours**