

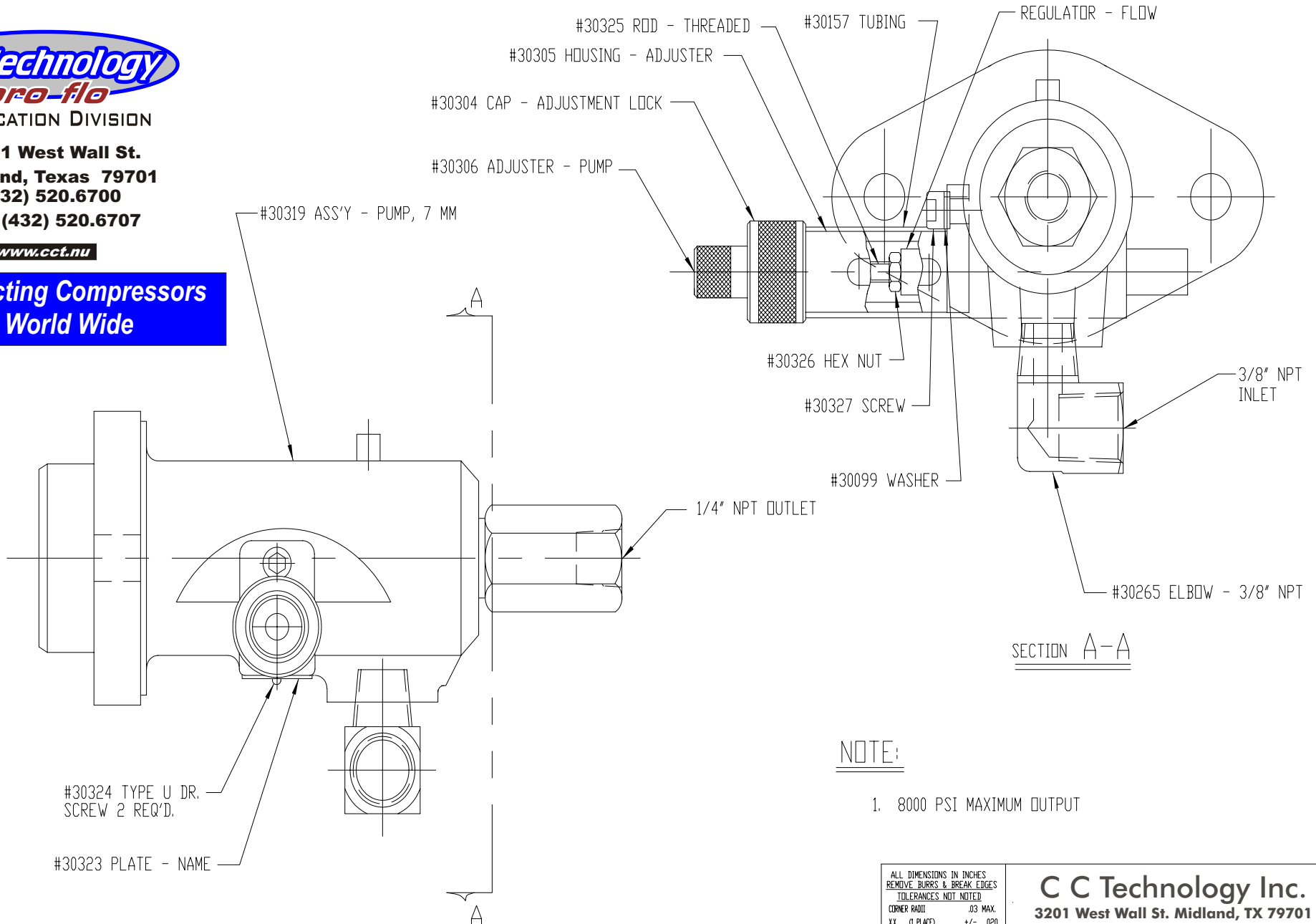


LUBRICATION DIVISION

3201 West Wall St.
Midland, Texas 79701
(432) 520.6700
Fax (432) 520.6707

www.cct.nu

Protecting Compressors
World Wide



SECTION A-A

NOTE:

- 8000 PSI MAXIMUM OUTPUT

ALL DIMENSIONS IN INCHES
REMOVE BURRS & BREAK EDGES
TOLERANCES NOT NOTED
CORNER RADIUS .03 MAX.
XX (1 PLACES) +/- .020
XXX (2 PLACES) +/- .010
XXXX (3 PLACES) +/- .005
CONCENTRICITY .010 T.I.R.
SURFACE TEXTURE 125 RMS
ANGLES +/- .5 DEG.

C C Technology Inc.
3201 West Wall St. Midland, TX 79701
Office: 432.520.6700 fax: 432.520.6707

TITLE
HVLP Pump Assy. 7 mm
Flow Adjuster & Parts

REF: PR-006

APPROVED:	DRWN BY CDB	DATE 11-4-98	DRAWING NO.	REV.
SCALE: FULL	CHKD BY	DATE	30328	

LET.	REVISION	E.C.N.	REV. BY DATE	APP'D BY DATE

This document and contents are proprietary to the Manufacturer and cannot be copied or disclosed without written permission

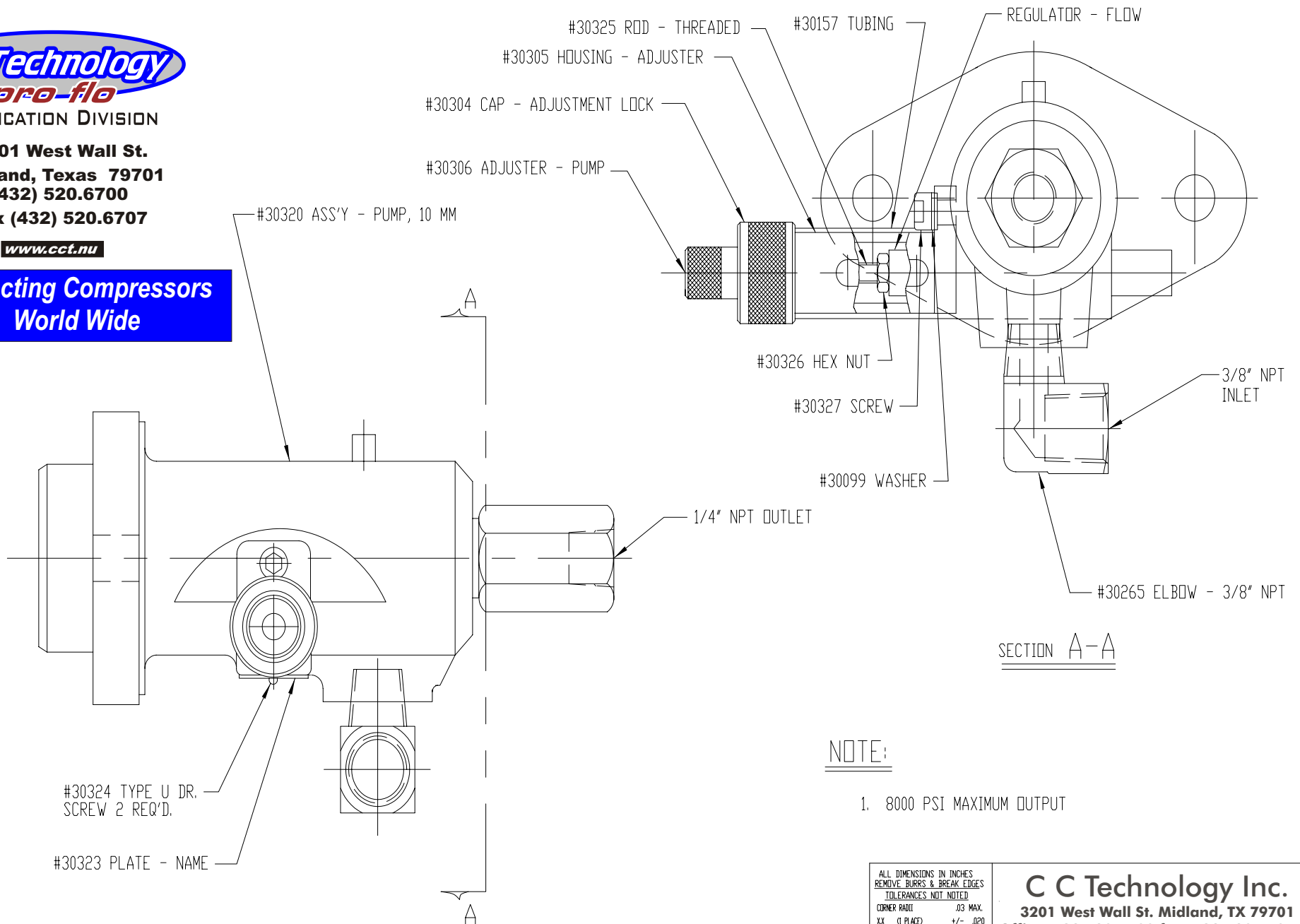


LUBRICATION DIVISION

3201 West Wall St.
Midland, Texas 79701
(432) 520.6700
Fax (432) 520.6707

www.cct.nu

Protecting Compressors
World Wide



SECTION A-A

NOTE:

1. 8000 PSI MAXIMUM OUTPUT

ALL DIMENSIONS IN INCHES
REMOVE BURRS & BREAK EDGES
TOLERANCES NOT NOTED
CORNER RADIUS .03 MAX.
XX (1 PLACES) +/- .020
XXX (2 PLACES) +/- .010
XXXX (3 PLACES) +/- .005
CONCENTRICITY .010 T.I.R.
SURFACE TEXTURE 125 RMS
ANGLES +/- .5 DEG.

C C Technology Inc.
3201 West Wall St. Midland, TX 79701
Office: 432.520.6700 fax: 432.520.6707

TITLE
HVP Pump Assy. 10 mm
Flow Adjuster & Parts

LET.	REVISION	E.C.N.	REV. BY DATE	APP'D BY DATE

This document and contents are proprietary to the Manufacturer and cannot be copied or disclosed without written permission

REF: PR-006	APPROVED:	DRWN BY CDB	DATE 11-4-98	DRAWING NO. 30329	REV.
SCALE: FULL	CHKED BY	DATE			