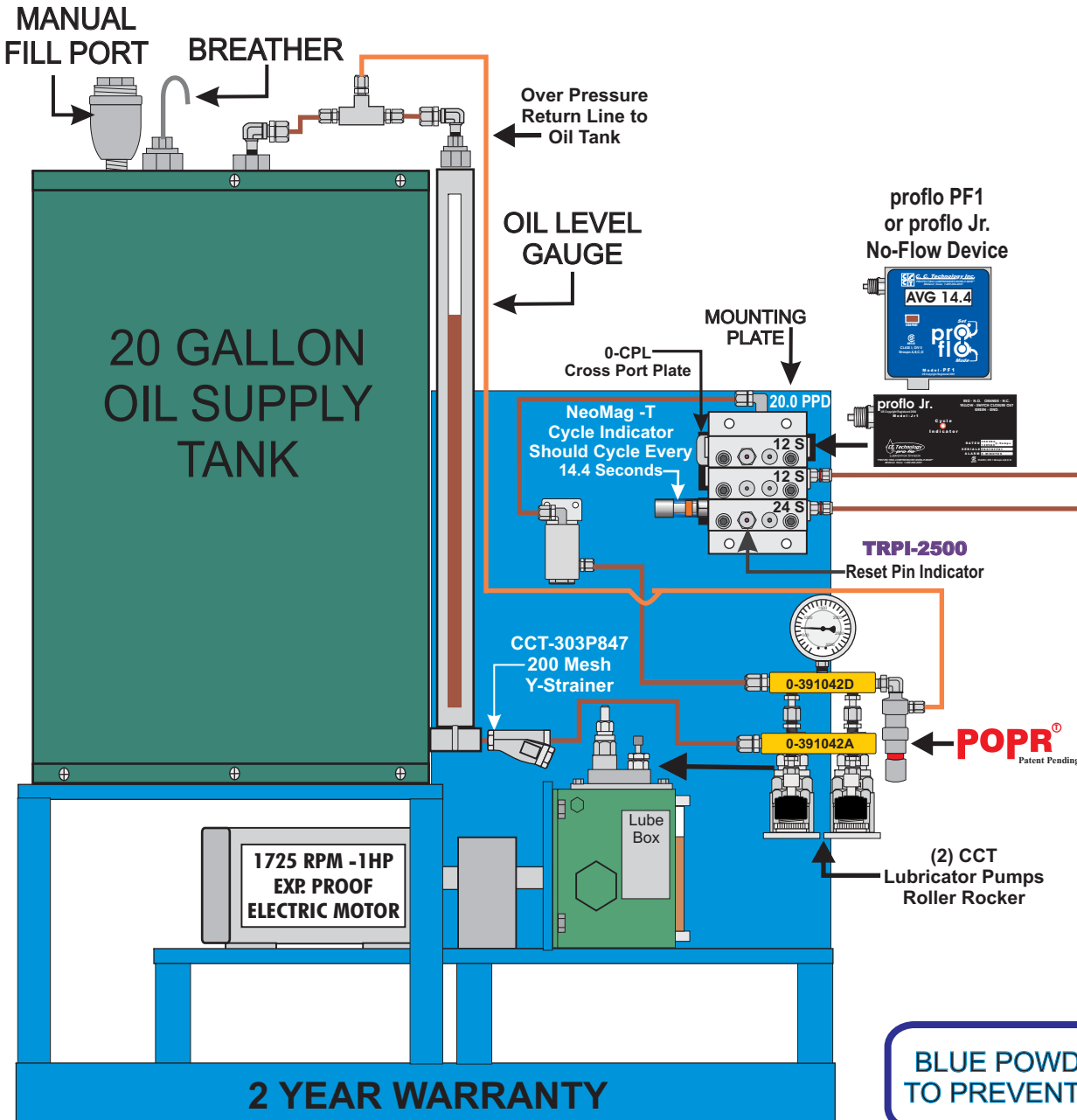


proflo LUBRICATION SYSTEM

"PROTECTING COMPRESSORS WORLD WIDE"

CCT Self Contained Remote Lubrication System Skid with Oil Supply Tank and Motor Driven Lubricator Box



Lubrication System Designed By



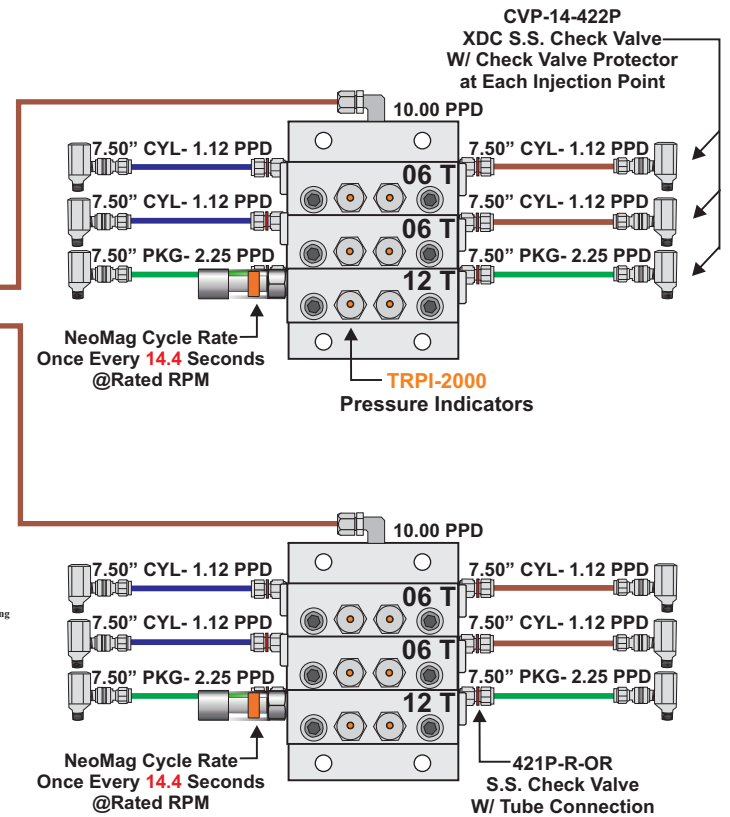
**3201 West Wall St.
Midland, TX 79701
Office: 432.520.6700
fax: 432.520.6707**

LUBRICATION DIVISION

Visit Us On The Web: cct.nu

NOTICE: All parts included in the schematic are vital to the reliable operation troubleshooting and Protection of the lube system.

Divider Block System Warranty: 2 Years
Check Valve Warranty: 5 Years Full Replacement
Install Date: ?-09



Drawings & Specifications are Copyright Property of "C C TECHNOLOGY INC."
Reproduction or Use Without Written Permission is Strictly Prohibited